
 TECHNICAL DATA SHEET

PMA Trust™ - BGPMK - Cable clamping adapter




Cable clamping adapters for BGPM system support and BGMPR reduction half-shells


Applications:

- Cable clamping adapters for PMA Trust™ - BGPM Multiple Holders and BGPMR reduction half-shells for supporting and holding cables

Features & Benefits:

- Easy installation
- Flexible configuration in Multiple Holders & Reductions possible
- Self-extinguishing

Materials:

- High-grade, TPE

Compatible with:

- BGPM Modular system support (datasheet no. 40030)
- BGPMR Reducers (datasheet no. 40055)

Conforms to:

- EN 45545-2 HL3 (R22 & R23)
- NFPA 130 not applicable (see page 3)
- UL 94 (V0)
- UN Regulation No. 118

Weathering resistance:

- Very good UV resistance and weathering characteristics

Colour:

- Black

Chemical properties:

- Please refer to www.pma.ch (Technical Information / Chemical Resistance)

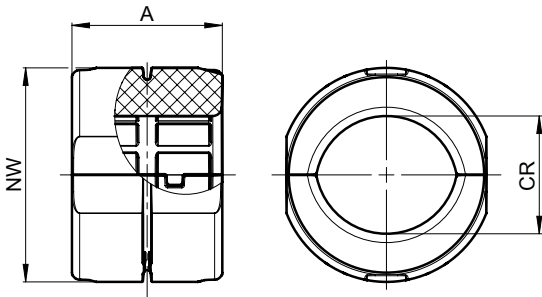
Environmental properties:

- Free from halogens and cadmium
- RoHS and REACH compliant

Product selection:

Part no.	Cable clamping range in mm		Fits to BGPM & BGPMR	Dimensions in mm (nom.)	Weight	Packing unit
	1 fold BGPM & BGMPR (CR)	2,3 & 4 fold BGPM & BGMPR (CR)				
black			size (NW)	A	kg/100 pcs	pcs/PU
BGPMK-10/7-3	7-3	6-4	10	30.0	0.3	5
BGPMK-12/9-5	9-5	8-6	12	30.0	0.3	5
BGPMK-17/12-8	12-8	11-9	17	30.0	0.6	5
BGPMK-17/15-11	15-11	14-12	17	30.0	0.5	5
BGPMK-23/18-14	18-14	17-15	23	30.0	1.0	5
BGPMK-23/20-16	20-16	19-17	23	30.0	0.9	5
BGPMK-29/22-18	22-18	21-19	29	30.0	1.4	5
BGPMK-29/25-21	25-21	24-22	29	30.0	1.3	5
BGPMK-36/28-24	28-24	27-25	36	30.0	1.9	5
BGPMK-36/31-27	31-27	30-28	36	30.0	1.7	5
BGPMK-36/34-30	34-30	33-31	36	30.0	1.5	5
BGPMK-48/37-33	37-33	36-34	48	30.0	2.9	5
BGPMK-48/40-36	40-36	39-37	48	30.0	2.7	5
BGPMK-48/43-39	43-39	42-40	48	30.0	2.4	5
BGPMK-48/46-42	46-42	45-43	48	30.0	2.1	5

Our customer service dept. or local distribution partner will be pleased to help you concerning product availability and lead time



PMA Tust™ - Modular support system

Composition of the system

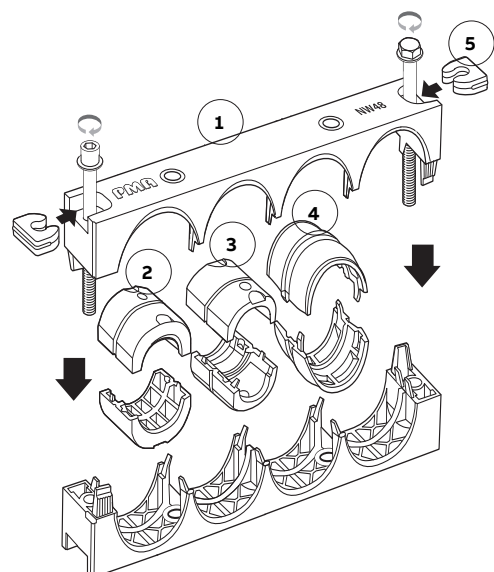
1: System support, BGPM: provides axial strain relief for conduits but allowing rotation so that torsion does not transfer to the conduit

2: Cable clamping adapter, BGPMK: made of elastic material, can be used within both support and reducers

3: Reducer, BGPMR: allows to adapt the support holder to the next smaller conduit size and even further down

4: Movable insert, BGPMB: allows 360° movement and helps to avoid torsion of corrugated conduits in dynamic applications

5: Filler cap, BGPMF: for mounting BGPM holders on thin sheet metal brackets, to allow even distribution of fixation forces



Mechanical Properties:	Value:	Test parameters:	Test method:
Tensile modulus	1'200 ... 3'700 N/mm ²		ISO 527
Tensile strength	45 ... 65 N/mm ²		ISO 527
Notched bar impact test	4 ... 20 kJ/m ²		ISO 180/1C

Thermal properties:	Value:	Test parameters:	Test method:
Continuous application temperature	-50 ... +95°C		PMA DO 9.21-4510
Upper application temperature	+110°C	(20'000 h)	PMA DO 9.21-4360
Short-term	+150°C	(168 h)	PMA DO 9.21-4360

Fire safety properties:	Value:	Test parameters:	Test method:
Fire performance	non flame-propagating		IEC EN 61386-1
Flame class	V0		UL 94

Fire hazard level	HL3		EN 45545-2 (R22)
Oxygen index	> 32 %		EN ISO 4589-2
Smoke density	< 150 Ds max.		EN ISO 5659-2 (25 kW/m ²)
Toxicity	< 0.75 CIT _{NLP}		NF X 70-100-1/-2: (600°C)

Fire hazard level	HL3		EN 45545-2 (R23)
Oxygen index	> 32 %		EN ISO 4589-2
Smoke density	< 300 Ds max.		EN ISO 5659-2 (25 kW/m ²)
Toxicity	< 1.5 CIT _{NLP}		NF X 70-100-1/-2: (600°C)

Content of delivery:

- Half-shells

Assembly instructions:

- For possible combinations, please see on page 2
- Please consider the appropriate assembly instructions on www.pma.ch

Information about NFPA 130:

Table 8.4.1 of NFPA 130 defines categories for the test procedures and performance criteria of materials and assemblies. The BGPMK parts are not included under any category and are therefore not required to be tested. The materials used to fabricate miscellaneous discontinuous parts are exempt from flammability and smoke emission performance requirements where the exposed surface area of any individual small part is less than 100cm² and where the material does not contribute materially to fire growth. We confirm that the largest surface area of the largest component in this range is 43.55cm² and that the material used is rated to UL94 V0 an EN 45545-2 HL3

Exposed surface area:

Part no.	Fits BGPM & BGPMR		Part weight g	Exposed Surface cm ²
	NW			
BGPMK-10/7-3	10	2.43	6.35	
BGPMK-12/9-5	12	3.23	7.89	
BGPMK-17/15-11	17	4.91	11.04	
BGPMK-17/12-8	17	5.58	11.95	
BGPMK-23/20-16	23	8.44	16.26	
BGPMK-23/18-14	23	9.08	17.18	
BGPMK-29/25-21	29	11.82	20.68	
BGPMK-29/22-18	29	13.3	22.48	
BGPMK-36/34-30	36	14.7	26.03	
BGPMK-36/31-27	36	16.64	28.63	
BGPMK-36/28-24	36	18.52	30.95	
BGPMK-48/46-42	48	19.93	33.22	
BGPMK-48/43-39	48	22.77	36.94	
BGPMK-48/40-36	48	25.46	40.39	
BGPMK-48/37-33	48	28.03	43.55	

