
 TECHNICAL DATA SHEET

PMA Trust™ - BGPMF - Filler cap

PMA



PA6 Filler caps to fill indents of BGPM system holder assuring a plane product surface and an increased area of installation


Applications:

- For mounting BGPM holders on thin sheet metal brackets, to allow even distribution of fixation forces

Features & Benefits:

- Just two sizes for complete PMA Trust™ BGPM holder series
- Retrofit installation possible
- Easy installation
- Self-extinguishing

Materials:

- High-grade, specially formulated polyamide 6

Compatible with:

- BGPM Modular system support (datasheet no. 40030)

Conforms to:

- EN 45545-2 HL3 (R22 & R23)
- NFPA 130
- UL 94 (V0)
- UN Regulation No. 118

Weathering resistance:

- Very good UV resistance and weathering characteristics

Colour:

- Black

Chemical properties:

- Please refer to www.pma.ch
- (Technical Information / Chemical Resistance)

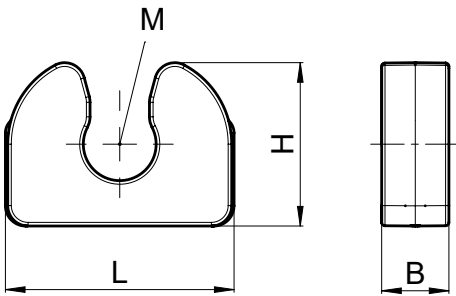
Environmental properties:

- Free from halogens and cadmium
- RoHS and REACH compliant

Product selection:

Part no.	Conduit size	Dimensions in mm (nom.)				Weight	Packing unit
black	NW (A)	L	H	B	M	kg/100 pcs	pcs/PU
BGPMF-NW10-17	NW10 to NW17	20.4	14.6	6	M6	0.10	tbd
BGPMF-NW23-48	NW23 to NW48	20.4	14.6	8	M6	0.13	tbd

Our customer service dept. or local distribution partner will be pleased to help you concerning product availability and lead time



PMA Tust™ - Modular support system

Composition of the system

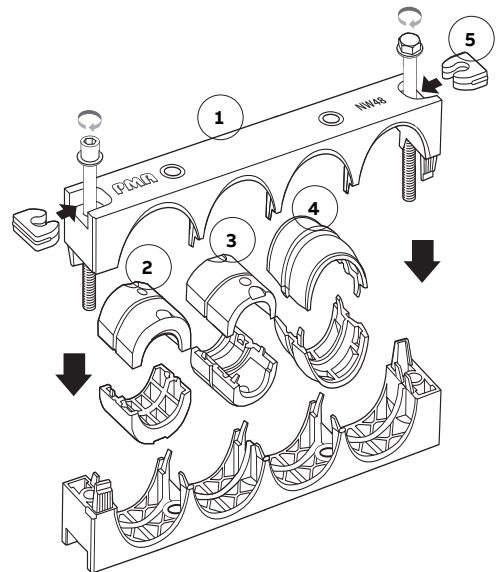
1: System support, BGPM: provides axial strain relief for conduits but allowing rotation so that torsion does not transfer to the conduit

2: Cable clamping adapter, BGPMK: made of elastic material, can be used within both support and reducers

3: Reducer, BGPMR: allows to adapt the support holder to the next smaller conduit size and even further down

4: Movable insert, BGPMB: allows 360° movement and helps to avoid torsion of corrugated conduits in dynamic applications

5: Filler cap, BGPMF: for mounting BGPM holders on thin sheet metal brackets, to allow even distribution of fixation forces



Mechanical Properties:	Value:	Test parameters:	Test method:
Tensile modulus	1'200 ... 3'700 N/mm ²		ISO 527
Tensile strength	45 ... 65 N/mm ²		ISO 527
Notched bar impact test	4 ... 20 kJ/m ²		ISO 180/1C

Thermal properties:	Value:	Test parameters:	Test method:
Continuous application temperature	-50 ... +105°C		PMA DO 9.21-4510
Upper application temperature	+120°C	(20'000 h)	PMA DO 9.21-4360
Short-term	+160°C	(168 h)	PMA DO 9.21-4360

Fire safety properties:	Value:	Test parameters:	Test method:
Fire performance	non flame-propagating		IEC EN 61386-1
Flame class	V0		UL 94

Fire hazard level	HL3		EN 45545-2 (R22)
Oxygen index	> 32 %		EN ISO 4589-2
Smoke density	< 150 Ds max.		EN ISO 5659-2 (25 kW/m ²)
Toxicity	< 0.75 CIT _{NLP}		NF X 70-100-1/-2: (600°C)

Fire hazard level	HL3		EN 45545-2 (R23)
Oxygen index	> 32 %		EN ISO 4589-2
Smoke density	< 300 Ds max.		EN ISO 5659-2 (25 kW/m ²)
Toxicity	< 1.5 CIT _{NLP}		NF X 70-100-1/-2: (600°C)

Fire performance NFPA 130:			NFPA 130
- Flammability	compliant		ASTM E 162
- Smoke density	compliant		ASTM E 662

Heat and visible smoke	26.00 MJ/kg		ASTM E 1354
Smoke emission toxicity	compliant		Bombardier SMP 800-C
Smoke emission toxicity	compliant		Boeing BSS 7239

Content of delivery:

- 1x Filler Cap

Assembly instructions:

- Press the filler caps into the indents on the BGPM with the flat surface facing upwards
- Please consider the appropriate assembly instructions on www.pma.ch

ABB Switzerland Ltd,
PMA Cable Protection
Aathalstrasse 90
8610 Uster, Switzerland
Phone: +41 58 585 00 11
pma-info@ch.abb.com
www.pma.ch

Let's write the future.
Together. **abb.com**

We reserve the right to make technical changes or modify the contents of this document without prior notice. With regard to purchase orders, the agreed particulars shall prevail. ABB Installation Products Inc. does not accept any responsibility whatsoever for potential errors or possible lack of information in this document.

We reserve all rights in this document and in the subject matter and illustrations contained therein. Any reproduction, disclosure to third parties or utilization of its contents – in whole or in parts – is forbidden without prior written consent of ABB Inc. Copyright© 2019 ABB Installation Products Inc. All rights reserved

