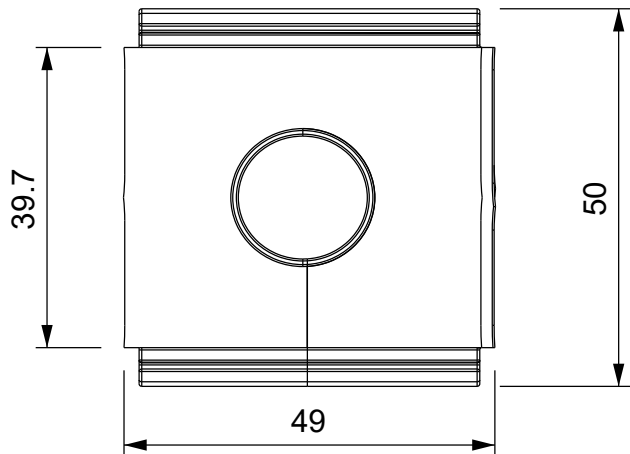
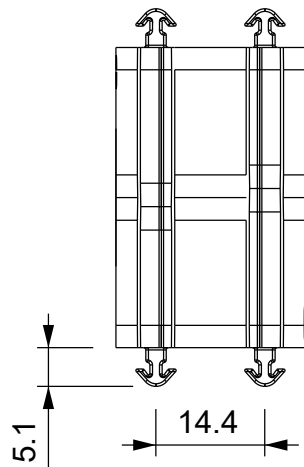
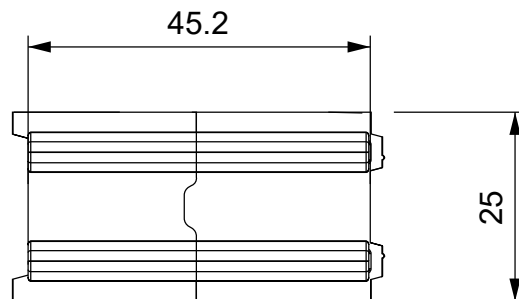
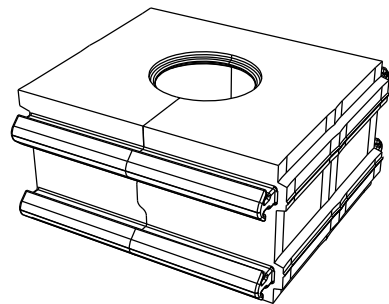


A

B

C

D



Grey		Black		Ø Cable [mm]	Grey		Black	
Description	Code	Description	Code		ATEX			
SPG 0G	1731022000	SPG 0B	1731022020	/	SPG 0GA	1731322000	SPG 0BA	1731322020
SPG 17G	1731022117	SPG 17B	1731022217	17-18	SPG 17GA	1731322117	SPG 17BA	1731322217
SPG 18G	1731022118	SPG 18B	1731022218	18-19	SPG 18GA	1731322118	SPG 18BA	1731322218
SPG 19G	1731022119	SPG 19B	1731022219	19-20	SPG 19GA	1731322119	SPG 19BA	1731322219
SPG 20G	1731022120	SPG 20B	1731022220	20-21	SPG 20GA	1731322120	SPG 20BA	1731322220
SPG 21G	1731022121	SPG 21B	1731022221	21-22	SPG 21GA	1731322121	SPG 21BA	1731322221
SPG 22G	1731022122	SPG 22B	1731022222	22-23	SPG 22GA	1731322122	SPG 22BA	1731322222
SPG 23G	1731022123	SPG 23B	1731022223	23-24	SPG 23GA	1731322123	SPG 23BA	1731322223
SPG 24G	1731022124	SPG 24B	1731022224	24-25	SPG 24GA	1731322124	SPG 24BA	1731322224
SPG 25G	1731022125	SPG 25B	1731022225	25-26	SPG 25GA	1731322125	SPG 25BA	1731322225
SPG 26G	1731022126	SPG 26B	1731022226	26-27	SPG 26GA	1731322126	SPG 26BA	1731322226
SPG 27G	1731022127	SPG 27B	1731022227	27-28	SPG 27GA	1731322127	SPG 27BA	1731322227
SPG 28G	1731022128	SPG 28B	1731022228	28-29	SPG 28GA	1731322128	SPG 28BA	1731322228
SPG 29G	1731022129	SPG 29B	1731022229	29-30	SPG 29GA	1731322129	SPG 29BA	1731322229
SPG 30G	1731022130	SPG 30B	1731022230	30-31	SPG 30GA	1731322130	SPG 30BA	1731322230
SPG 31G	1731022131	SPG 31B	1731022231	31-32	SPG 31GA	1731322131	SPG 31BA	1731322231
SPG 32G	1731022132	SPG 32B	1731022232	32-33	SPG 32GA	1731322132	SPG 32BA	1731322232
SPG 33G	1731022133	SPG 33B	1731022233	33-34	SPG 33GA	1731322133	SPG 33BA	1731322233
SPG 34G	1731022134	SPG 34B	1731022234	34-35	SPG 34GA	1731322134	SPG 34BA	1731322234

Flammability: UL94-V0, self-extinguishing

Temperature: -40°C ... +110°C

Properties: halogen-free, silicone-free

Material: thermoplastic elastomer (TPE)



IP66

NEMA
12, 4X

UL TYPE
12, 4X



UL94-V0



RoHS
COMPLIANT



Codice / Code

see table

Descrizione / Description

SPG

Rev.

004

Materiale / Material

TPE

Colore / Color

see table

Peso / Weight (g)

-

Unità di misura / Measure units

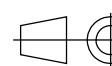
mm

Formato / Format

A4

Scala / Scale

1:1



UNI-ISO
2768-mk



Data / Date

13/10/2021

Numero foglio / Sheet number

-

Numero progetto / Project number

-

Disegn. / Drawn

ravezzano@detas.com

Note / Notes

-

QUESTO DISEGNO E LE SUE INFORMAZIONI SONO STRETTAMENTE RISERVATE DI PROPRIETA' DETAS SPA. NON UTILIZZARE PER SCOPI DIVERSI DA QUELLI PER CUI SONO STATE FORNITE. DO NOT SCALE DRAWING.

A

B

C

D