

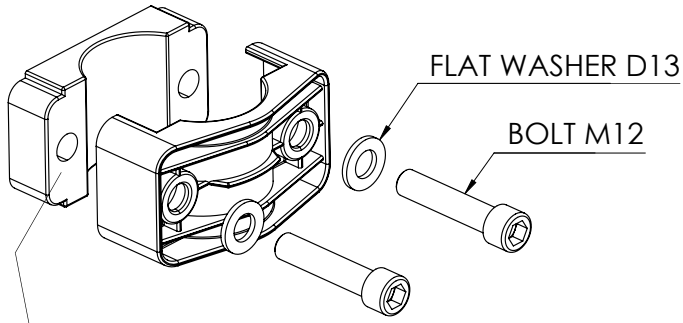
A

B

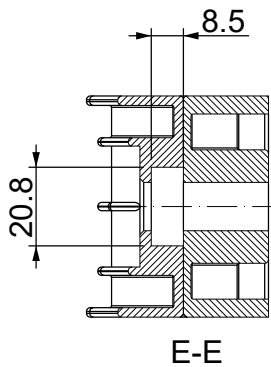
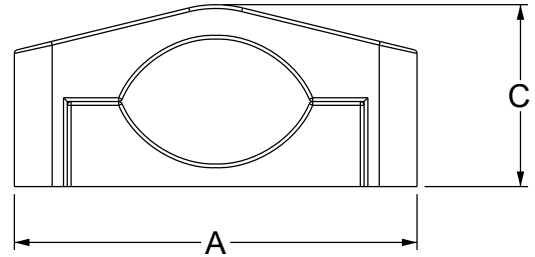
C

D

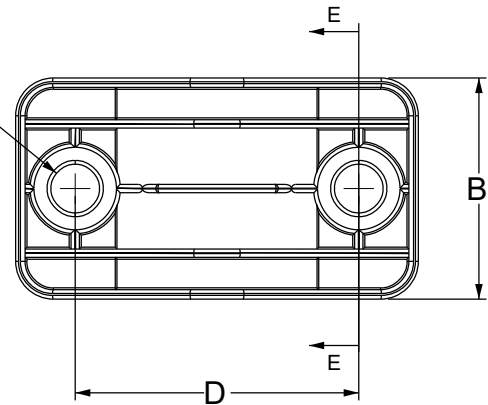
USE THIS TYPE OF FIXING ONLY!



DO NOT INSERT COMPONENTS BETWEEN THE PARTS



Ø12.8 (M12)



Cod.	Description	Cable Ø [mm] n° / max - min	A [mm]	B [mm]	C [mm]	D [mm]
1733030010	MFK 13-25	1 / 13-25	87,5	47,0	35,0	60,0
1733030015	MFK 20-36	1 / 20-36	88,0	58,0	42,0	60,0
1733030020	MFK 36-52	1 / 36-52	106,5	59,0	49,5	75,0
1733030025	MFK 55-75	1 / 55-75	113,5	59,0	52,0	83,0
1733030030	MFK 75-95	1 / 75-95	128,0	59,0	64,5	95,0

**Flammability:** UL94-V0, self-extinguishing  
**Temperature:** -40°C ... +110°C  
**Properties:** halogen-free, silicone-free  
**Material :** PA +20% GF  
**Torque range:** 2.5Nm



Codice / Code

see table

Descrizione / Description

MFK

Rev.

003

Materiale / Material

PA

Colore / Color

Black

Peso / Weight (g)

-

Unità di misura / Measure units

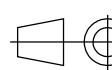
mm

Formato / Format

A4

Scala / Scale

1:2

UNI-ISO  
2768-mk

www.detasultra.com

Data / Date

07/07/2021

Numero foglio / Sheet number

-

Numero progetto / Project number

-

Disegn. / Drawn

fpozzi@detas.com

Note / Notes

-

QUESTO DISEGNO E LE SUE INFORMAZIONI SONO STRETTAMENTE RISERVATE DI PROPRIETÀ DETAS SPA. NON UTILIZZARE PER SCOPI DIVERSI DA QUELLI PER CUI SONO STATE FORNITE. DO NOT SCALE DRAWING.

A

B

C

D