

TECHNICAL DATA SHEET

PMA Divisible System - BLN-M - Lock Nut
metric thread**PMA**

One-piece, divisible lock nut ideal for retrofit and repairs

CE**Applications:**

- In industry, plant construction, machine building as well as in house and electrical installations

Features & Benefits:

- Easy installation
- Opening with a screwdriver
- Standard wrench width
- Installation on both sides possible
- High impact resistance
- Very good chemical properties

Materials:

- High-grade, specially formulated polyamide 6

Compatible with:

- PMA standard and divisible system

Weathering resistance:

- Very good UV resistance and weathering characteristics

Colour:

- Black

Chemical properties:

- Please refer to www.pma.ch
(Technical Information / Chemical Resistance)

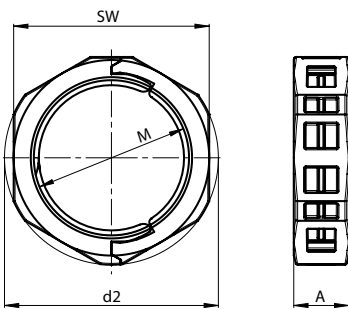
Environmental properties:

- Free from halogens and cadmium
- RoHS and REACH compliant

Product selection:

Part no.	Thread size	Dimensions in mm (nom.)			Weight	Packing unit
black	metric	d2	SW	A	kg/100 pcs	pcs/PU
BLN-M16	M16x1.5	24.0	22	8.0	0.2	50
BLN-M20	M20x1.5	29.0	26	8.0	0.3	50
BLN-M25	M25x1.5	35.0	32	9.0	0.4	10
BLN-M32	M32x1.5	45.0	41	12.0	0.7	10
BLN-M40	M40x1.5	55.0	50	15.0	1.2	10
BLN-M50	M50x1.5	66.0	60	15.0	1.6	10

Our customer service dept. or local distribution partner will be pleased to help you concerning product availability and lead time



Mechanical Properties:	Value:	Test parameters:	Test method:
Stress-E-module	1'200 ... 3'700 N/mm ²		ISO 527
Tensile strength	45 ... 65 N/mm ²		ISO 527
Notched bar impact test	4 ... 20 kJ/m ²		ISO 180/1C

Thermal properties:	Value:	Test parameters:	Test method:
Continuous application temperature	- 40 ... +105 °C		PMA DO 9.21-4510
Upper application temperature	+ 120°C		PMA DO 9.21-4360
Short-term	+ 160 °C	(168 h)	PMA DO 9.21-4360

Fire safety properties:	Value:	Test parameters:	Test method:
Flame class	HB		UL 94

Content of delivery:

- Fitting

Assembly instructions:

- Push-in with a slight twist and pull back slightly to ensure the locking mechanism is fully engaged or lay in the conduit snap into place and lock the Fitting.

ABB Switzerland Ltd,
PMA Cable Protection
Aathalstrasse 90
8610 Uster, Switzerland
Phone: +41 58 585 00 11
pma-info@ch.abb.com
www.pma.ch

Let's write the future.
Together. **abb.com**

We reserve the right to make technical changes or modify the contents of this document without prior notice. With regard to purchase orders, the agreed particulars shall prevail. ABB Installation Products Inc. does not accept any responsibility whatsoever for potential errors or possible lack of information in this document.

We reserve all rights in this document and in the subject matter and illustrations contained therein. Any reproduction, disclosure to third parties or utilization of its contents – in whole or in parts – is forbidden without prior written consent of ABB Inc. Copyright© 2019 ABB Installation Products Inc. All rights reserved

