
 TECHNICAL DATA SHEET

PMAFIX IP68 - BVVV-P - Fitting

90° elbow, PG thread

PMA



IP68, polyamide fitting for flexible non-metallic conduit



Applications:

- For cable protection systems in a wide range of applications

Features & Benefits:

- Very high impact resistance
- Vibration-proof connection to PMA conduits
- Easy installation
- High conduit pull-out strength
- Very good chemical properties
- Fits both conduit profiles - fine (T) and coarse (G)

Ingress protection:

- IP66, IP68 & IP69 (EN/IEC 60529)
- IP69, 100 bar with Water impact protection (WPS-ring)

Materials:

- High-grade, specially formulated polyamide 6

Compatible with:

- PMAFLEX Pro Conduits
- PMAFLEX Multilayer Conduits
- PMAFLEX Conduits
- PMA Smart Line Conduits

Conforms to:

- EN 45545-2 HL3 (R23 & R23)
- NFPA 130
- UL 94 (V0)
- UL 1696 (UL file E80294)
- CSA C22.2 No. 227.3-05 (CSA file LL 88703)

Weathering resistance:

- Very good UV resistance and weathering characteristics, particularly in black

Colour:

- Black
- Grey

Chemical properties:

- Please refer to www.pma.ch (Technical Information / Chemical Resistance)

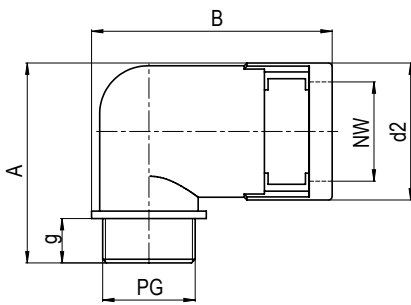
Environmental properties:

- Free from halogens and cadmium
- RoHS and REACH compliant

Product selection:

Part no.		Thread size	Conduit size	Dimensions in mm (nom.)				Weight	Packing unit
black	grey	PG	NW	g	d2	A	B	kg/100 pcs	pcs/PU
BVWV-P07M	SVWV-P07M	7	7	11.0	16.5	32.0	35.0	0.4	100
BVWV-P070	SVWV-P070	7	10	11.0	20.0	34.0	39.5	0.5	50
BVWV-P072	SVWV-P072	7	12	11.0	23.5	38.5	44.5	0.6	50
BVWV-P09M	SVWV-P09M	9	7	11.0	16.5	32.0	36.5	0.6	100
BVWV-P090	SVWV-P090	9	10	11.0	20.0	34.0	39.5	0.7	50
BVWV-P092	SVWV-P092	9	12	11.0	23.5	38.5	44.5	0.9	50
BVWV-P11M	SVWV-P11M	11	7	11.0	16.5	32.0	38.0	0.6	100
BVWV-P110	SVWV-P110	11	10	11.0	20.0	34.0	41.0	0.7	50
BVWV-P112	SVWV-P112	11	12	11.0	23.5	38.5	46.0	1.1	50
BVWV-P13M	SVWV-P13M	13.5	7	11.0	16.5	32.0	39.5	0.6	100
BVWV-P130	SVWV-P130	13.5	10	11.0	20.0	34.0	42.5	0.7	50
BVWV-P132	SVWV-P132	13.5	12	11.0	23.5	38.5	47.5	1.1	50
BVWV-P137	SVWV-P137	13.5	17	11.0	29.5	43.5	58.5	1.8	50
BVWV-P167	SVWV-P167	16	17	11.0	29.5	43.5	58.5	1.7	50
BVWV-P213	SVWV-P213	21	23	12.0	37.0	54.0	67.0	2.5	30
BVWV-P299	SVWV-P299	29	29	12.0	44.0	61.5	74.5	3.5	20
BVWV-P366	SVWV-P366	36	36	13.0	53.5	72.0	98.0	6.5	20
BVWV-P488	SVWV-P488	48	48	13.0	66.0	85.5	111.0	10.2	10

Our customer service dept. or local distribution partner will be pleased to help you concerning product availability and lead time



Mechanical Properties:	Value:	Test parameters:	Test method:
Tensile modulus	1'200 ... 3'700 N/mm ²		ISO 527
Tensile strength	45 ... 65 N/mm ²		ISO 527
Notched bar impact test	4 ... 20 kJ/m ²		ISO 180/1C
Vibration and shock standard	Cat. 2		IEC 61373, IEC 60068-2-27 / -64

Thermal properties:	Value:	Test parameters:	Test method:
Continuous application temperature	- 50 ... + 105 °C		PMA DO 9.21-4510
Upper application temperature	+ 120°C	(20'000 h)	PMA DO 9.21-4360
Short-term	+ 160 °C	(168 h)	PMA DO 9.21-4360

Fire safety properties:	Value:	Test parameters:	Test method:
Fire performance	non flame-propagating		IEC EN 61386-1
Flame class	V0		UL 94

Fire hazard level	HL3		EN 45545-2 (R22)
Oxygen index	> 32 %		EN ISO 4589-2
Smoke density	< 150 Ds max.		EN ISO 5659-2 (25 kW/m ²)
Toxicity	< 0.75 CIT _{NLP}		NF X 70-100-1/-2: (600°C)

Fire hazard level	HL3		EN 45545-2 (R23)
Oxygen index	> 32 %		EN ISO 4589-2
Smoke density	< 300 Ds max.		EN ISO 5659-2 (25 kW/m ²)
Toxicity	< 1.5 CIT _{NLP}		NF X 70-100-1/-2: (600°C)

Fire performance NFPA 130:			NFPA 130
- Flammability	compliant		ASTM E 162
- Smoke density	compliant		ASTM E 662

Heat and visible smoke	26.00 MJ/kg		ASTM E 1354
Smoke emission toxicity	compliant		Bombardier SMP 800-C
Smoke emission toxicity	compliant		Boeing BSS 7239

Content of delivery:

- Fitting with conduit locking clip (OVN2)
- Conduit gasket (NVN3)
- Thread gasket (SVN4)

Assembly instructions:

- Please consider the appropriate assembly instructions on www.pma.ch

ABB Switzerland Ltd,
PMA Cable Protection
Aathalstrasse 90
8610 Uster, Switzerland
Phone: +41 58 585 00 11
pma-info@ch.abb.com
www.pma.ch

Let's write the future.
Together. **abb.com**

We reserve the right to make technical changes or modify the contents of this document without prior notice. With regard to purchase orders, the agreed particulars shall prevail. ABB Installation Products Inc. does not accept any responsibility whatsoever for potential errors or possible lack of information in this document.

We reserve all rights in this document and in the subject matter and illustrations contained therein. Any reproduction, disclosure to third parties or utilization of its contents – in whole or in parts – is forbidden without prior written consent of ABB Inc. Copyright© 2019 ABB Installation Products Inc. All rights reserved

