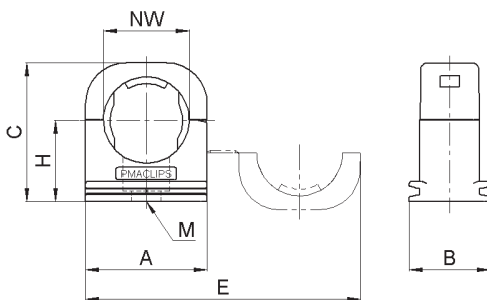


**Conduit Clip**

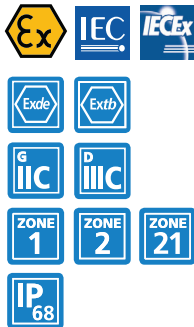
one-piece with safety lid

BEH-0

PMA Ex eb Non Metallic System

Dimensions**Features**

- Made of dissipative PA12
- Prevents electrostatic charging
- For indoor and outdoor applications
- High system connection strengths
- Easy installation
- Very good chemical properties

**Certification & Standards****Approved to:** IEC EN 60079-0, 60079-7, 60079-31**EC TYPE Examination** ATEX: SEV 15 ATEX 0121X**Certificate:** IECEx: IECEx SEV15.0009X

Ex eb IIC Gb

Ex tb IIIC Db

Temperature:

-5°C to +85°C Sizes 02-03 (NW10-12)

-20°C to +85°C Sizes 04-08 (NW17-48)

order no.	conduit size	dimensions in mm (nom.)						weight	packing unit
black	NW	A	B	C	H	E	M	kg/100 pcs	PU/pcs
BEH02	10	20.5	20.0	24.5	15.5	47.5	M5	0.4	1
BEH03	12	24.0	20.0	27.0	16.5	54.5	M5	0.6	1
BEH04	17	30.0	20.0	34.0	20.0	68.0	M6	0.8	1
BEH05	23	38.5	20.0	42.0	24.0	85.0	M6	1.1	1
BEH06	29	45.5	20.0	48.0	27.0	99.0	M6	1.5	10
BEH07	36	55.5	20.0	56.0	31.0	119.0	M6	1.9	10
BEH08	48	67.5	20.0	68.0	37.0	143.0	M6	2.6	10

Our customer service dept. or local distribution partner will be pleased to help you concerning product availability and lead time



Conduit Clip
one-piece with safety lid

BEH-0

PMA Ex eb Non Metallic System

properties	unit	value	test method
Mechanical properties			
Stress-E-module	N/mm ²	350	ISO 527
Tensile strength	N/mm ²	35	ISO 527
Notched bar impact test	kJ/m ²	9 (-30°C)	ISO 179/2-1eA
Impact strength	kJ/m ²	> 7 (85°C)	EN 60079-0
	kJ/m ²	> 7 (-20°C)	EN 60079-0
Thermal properties			
For use in hazardous locations:			
Temperature range sizes 02-03	°C	-05 ... +85	EN 60079-0
Temperature range sizes 04-08	°C	-20 ... +85	EN 60079-0
General:		-50 ... +95	
Fire safety characteristics			
Application approvals			
Please refer to Info-No. 10			
Electrical properties			
Specific surface resistivity	Ω	< 10 ⁷	ASTM D257
Chemical properties			
Please refer to catalogue			
PMA Ex-System or www.pma.ch			
Environmental properties			
RoHS and REACH compliant		yes	EU Directive 2011/65/EU EU Directive 1907/2006/EC
Weathering resistance			
Weathering (UV/humidity) for black colour		very good	
Content of delivery			
System support			
Mounting indication			
Mounting			
		Dismounting	
		<p>Can be re-opened with a screwdriver</p>	

[Assembly instructions](#) and other relevant documents are available at www.pma.ch.

The specifications and instructions for our customers in this document reflect the product engineering level at the time of manufacturing. Please consider the valid data sheet release at a time. For questions please contact the PMA customer service. ABB Switzerland, PMA Cable Protection accepts no liability for damages resulting from unprofessional installation or application or misuse for a purpose. This disclaimer also includes damages to third parties. It is the customer's responsibility to check the delivered products and immediately notify ABB Switzerland, PMA Cable Protection of detected faults. It is also the customer's responsibility to test the delivered product on its applicability for the intended purpose. ABB Switzerland, PMA Cable Protection will accept no liability or responsibility for their products if a product or a PMA system is combined or used together with third-party products, i.e. products from other companies than ABB Switzerland, PMA Cable Protection. Jurisdiction in all legal disputes concerning product liability have the courts of the canton of Zurich/Switzerland. Swiss law applies.
For more information and the newest data sheet releases go to: www.pma.ch